

# 36” Infrared Salamander Broiler (Range Mount)

**MODELS:**

ATSB-36

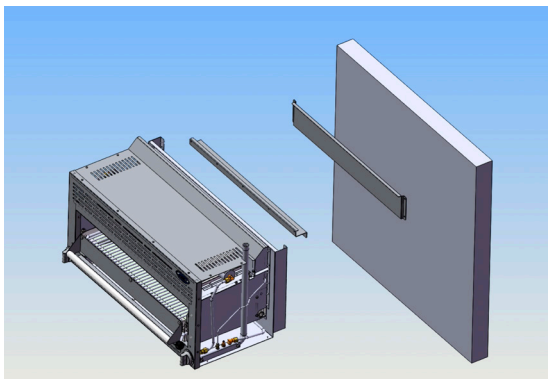
## Standard Features

- Stainless steel exterior and interior
- Dual valve controls for left and right-side independent operation
- Two(2) 21,500 BTU high efficiency ceramic infrared burners and standby pilots – totals 43,000 BTU’s
- 1 minute pre-heat time
- 4 position rack adjustments on salamander broiler
- One(1) removable broiler chrome rack
- Removable crumb/grease tray
- Range mount kit ships with salamander broiler



## Optional Accessories

- Wall mount kit 21208001048



1 YR WARRANTY ON ALL PARTS AND LABOR (US ONLY)



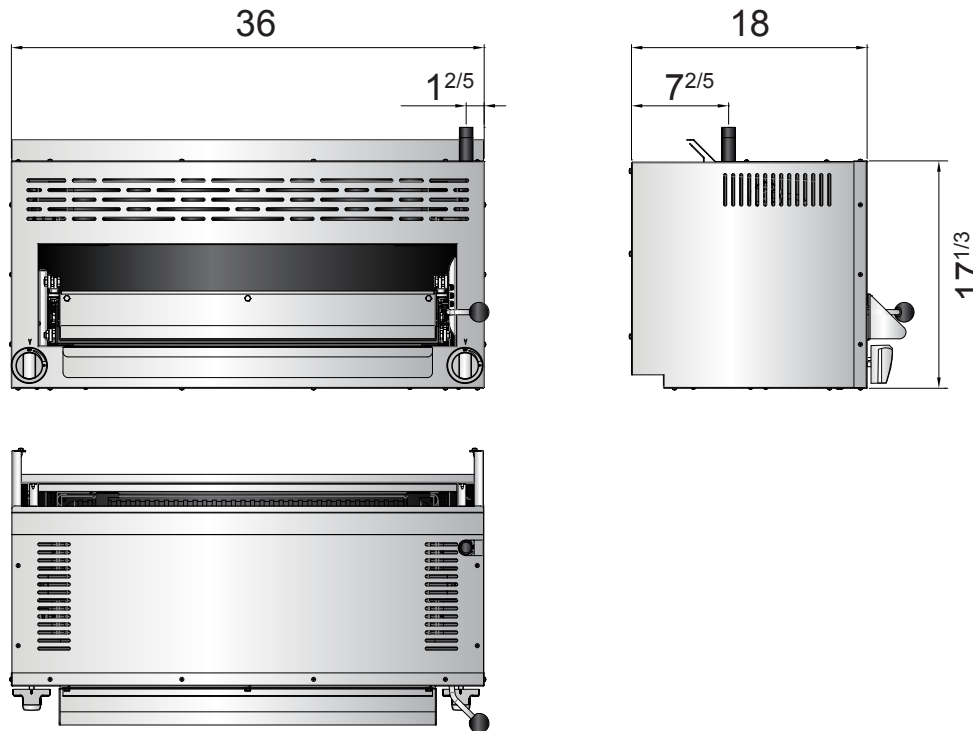
Conforms to ANSI  
STD Z83.110-2009 (2011)  
Certified to CSA  
STD 1.3B-2009 (2011)  
Conforms to NSF/ANSI STD.4



**SPECIFICATIONS**

Models	Burners and Control Method	Gas Type	Intake-Tube Presssure (in.W.C.)	Per BTU B.T.U./h	Total BTU B.T.U./h	Regulator	Exterior Dimensions (inch)	Net Weight (lbs)	Gross Weight (lbs)
ATSB-36	2 Burners Independent Manual Control	NG	5	21,500	43,000	5" w.c.	36×18×17 <sup>1/3</sup>	143	169
		LP	10	21,500	43,000	10" w.c.			

**PLAN VIEW**



Stainless steel exterior



Crumb/grease tray



Stainless steel knobs



Broiler chrome rack



4 position controller

